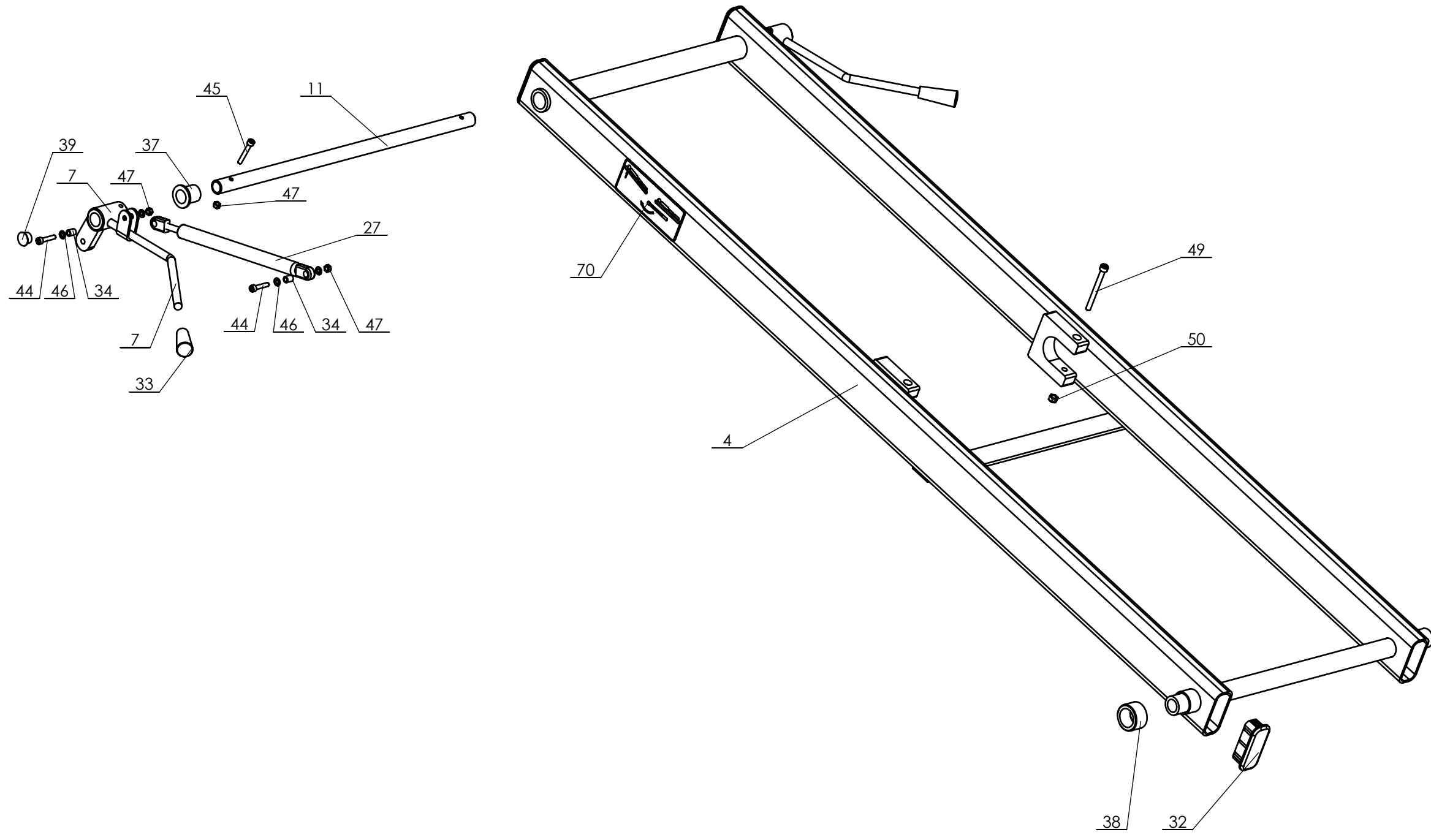


Productontwikkeling \SW-Tek\Marina 2000-2050\

Drawn by: RH	Date: 11-03-2020
Revised: 5 /KA	Date: 13-03-2023
Revised: 6 /KA	Date: 25-09-2023
Copyright reserved by law	Unit of measurement: mm

<h1>Chassis</h1>	
Lopital Nederland bv	Type nr: 2050-EV.6



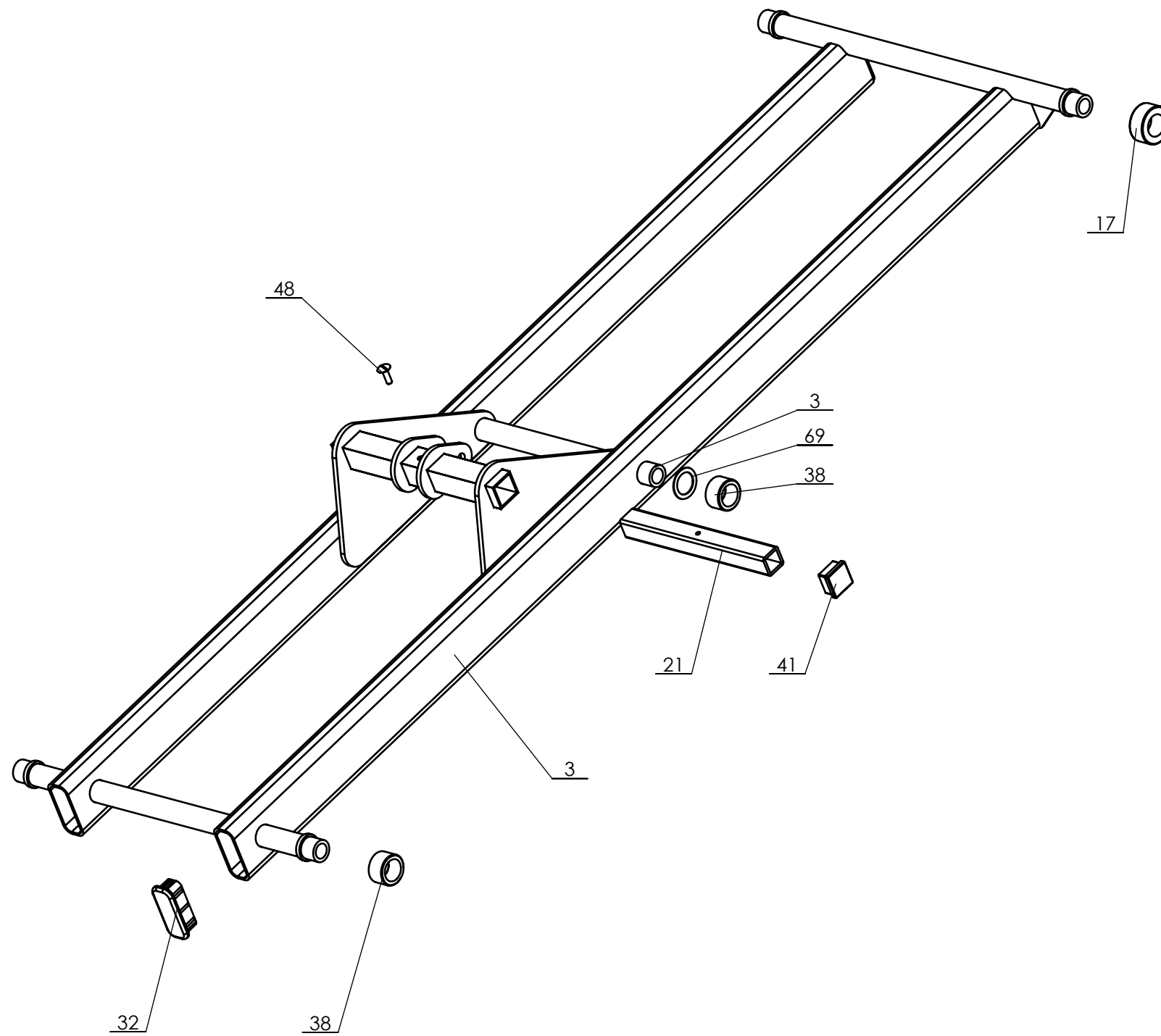
Productontwikkeling \SW-Tek\Matina 2000-2050\

Drawn by: RH	Date: 11-03-2020
Revised: 5 /KA	Date: 13-03-2023
Revised: 6 /KA	Date: 25-09-2023
Copyright reserved by law	Unit of measurement: mm

Subframe outside

Lopital Nederland bv

Type nr: 2050-EV.6



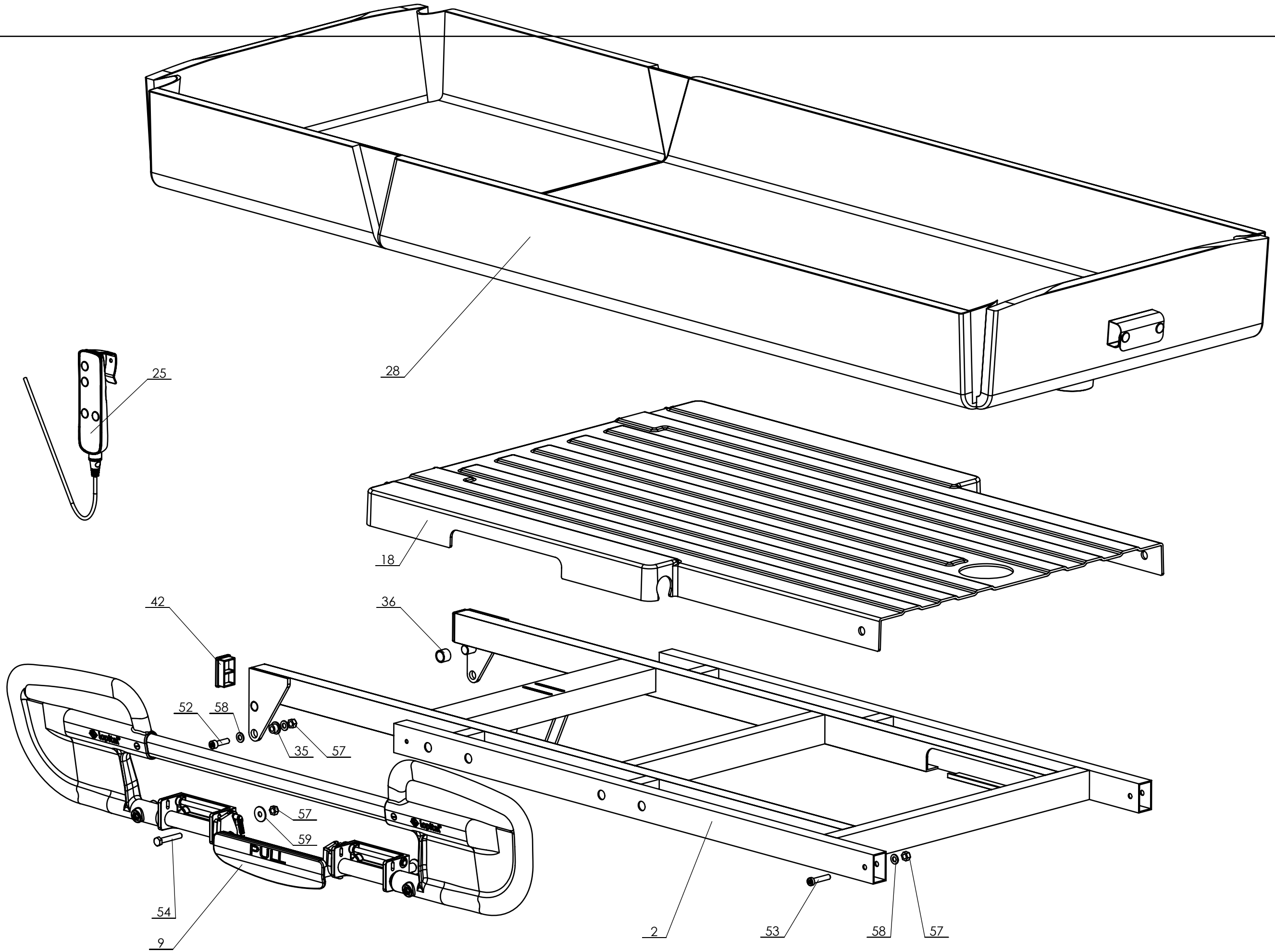
Productontwikkeling \SW-Tek\Matina 2000-2050\

Drawn by: RH	Date: 11-03-2020
Revised: 5 /KA	Date: 13-03-2023
Revised: 6 /KA	Date: 25-09-2023
Copyright reserved by law	Unit of measurement: mm

Subframe inside

Lopital Nederland bv

Type nr: 2050-EV.6



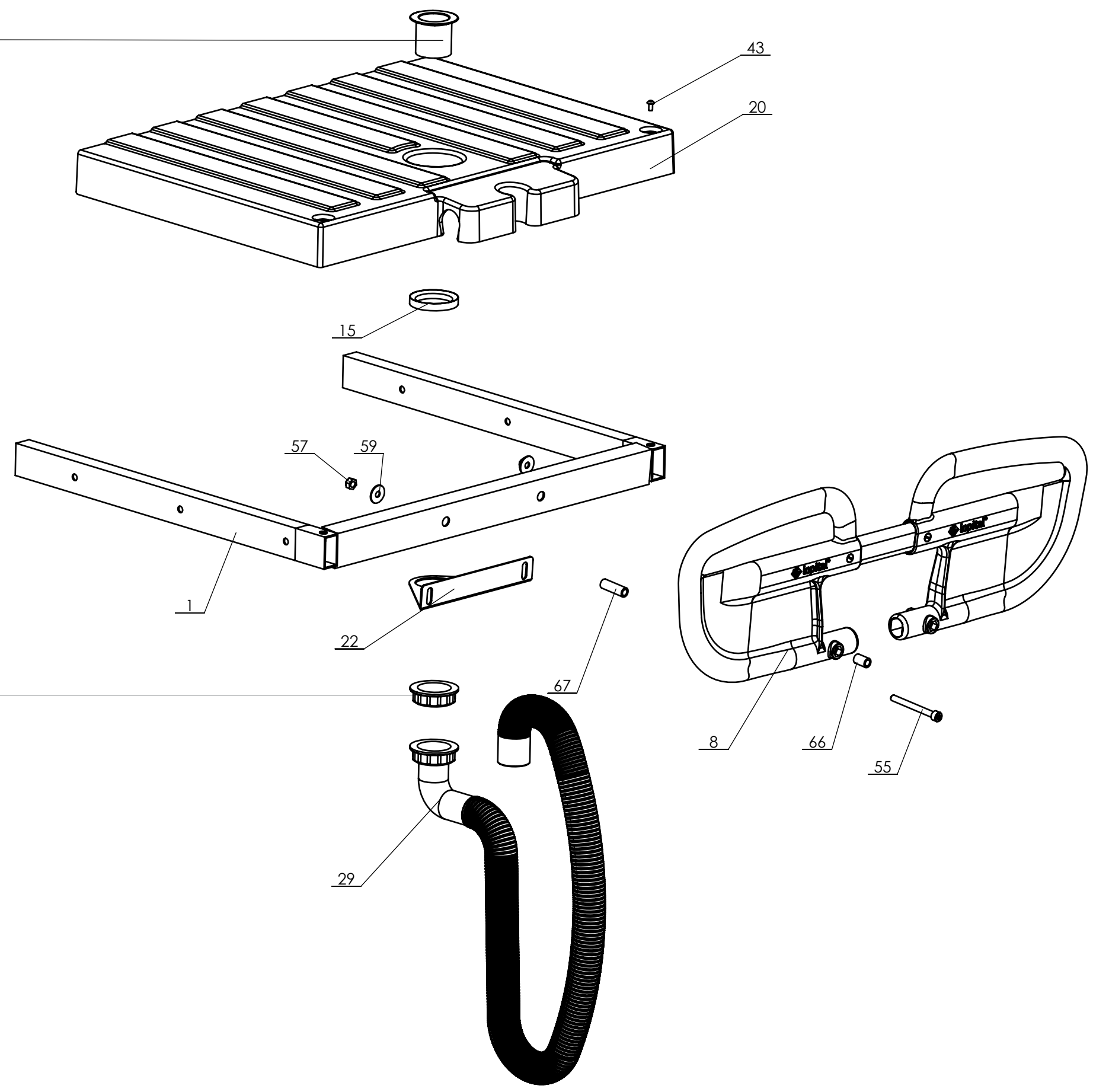
Drawn by: RH	Date: 11-03-2020
Revised: 5 /KA	Date: 13-03-2023
Revised: 6 /KA	Date: 25-09-2023
Copyright reserved by law	Unit of measurement: mm

Top frame middle

Lopital Nederland bv

Type nr: 2050-EV.6

14

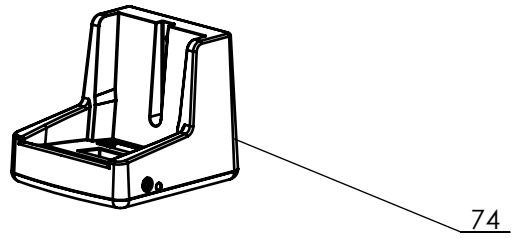


Drawn by: RH	Date: 11-03-2020
Revised: 5 /KA	Date: 13-03-2023
Revised: 6 /KA	Date: 25-09-2023
Copyright reserved by law	Unit of measurement: mm

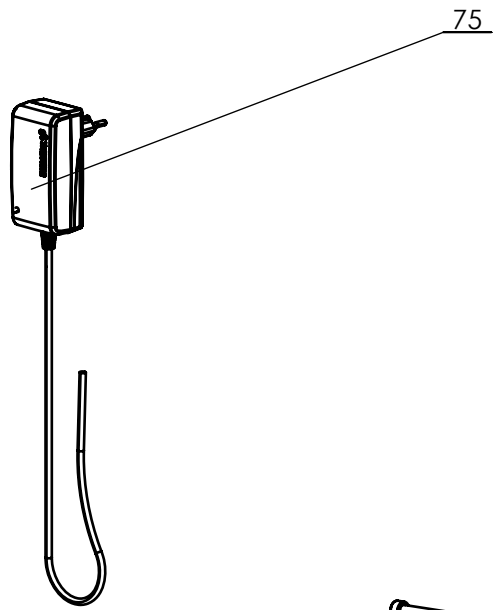
Length adjustment

Lopital Nederland bv

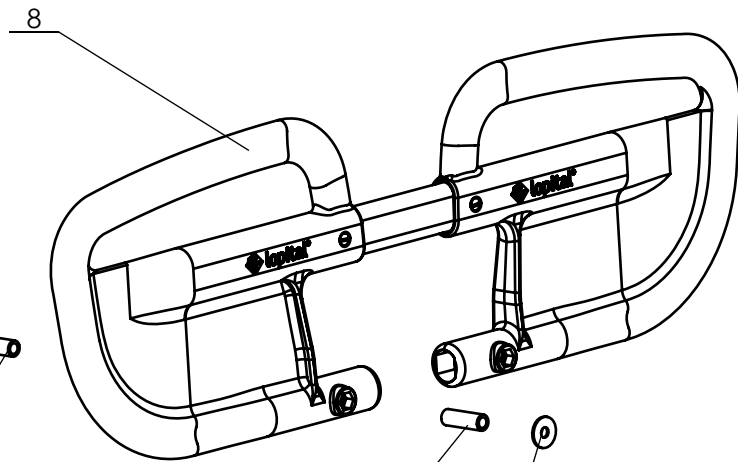
Type nr: 2050-EV.6



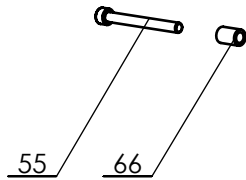
74



75

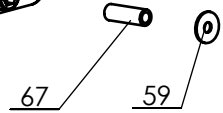


8



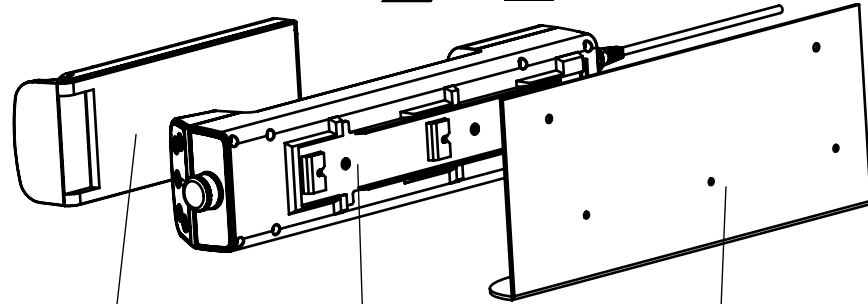
55

66



67

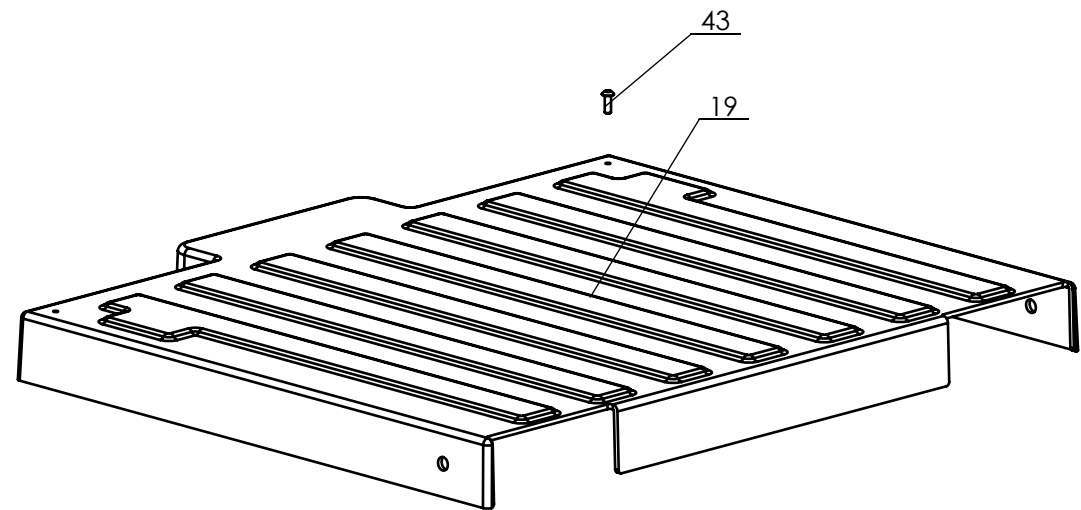
59



24

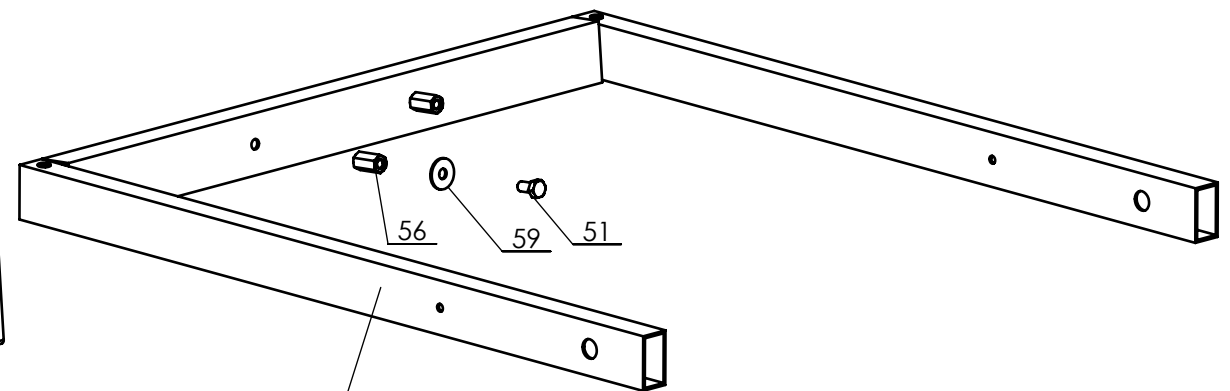
23

16



43

19



6

56

59

51

Drawn by: RH	Date: 11-03-2020
Revised: 5 /KA	Date: 13-03-2023
Revised: 6 /KA	Date: 25-09-2023
Copyright reserved by law	Unit of measurement: mm

Head end

Lopital Nederland bv

Type nr: 2050-EV.6

Marina basic electric 61002050

Part no.	Art.no.	QTY.	Name	Material	Drawing nr.
1	70200006	1	Length adjustment	Alu gec.	2000-16.3
2	70200004	1	Topframe	Alu gec.	2000-14.4
3	70200003	1	Subframe inner	Alu gec.	2000-13.6
4	70200002	1	Subframe outhr	Alu gec.	2000-12.4
5	70200001	1	Chassis	Alu gec.	2000-11.5
6	70200032	1	Frame headend	Alu gec.	2000-60
7	Set with no. 4	1	Tilt lever Set	St. gec.	2000-19.2
8	67902025	2	Push handle		2000-DB
9	67902020	2	Side rail		2000-ZH
10	70550009	1	Hinge bush	Messing	5500-14
11	Set with no. 4	1	Tube trendelenburg	RVS	2000-33.1
12	70200025	4	Tube cap chassis	PE	2000-31.1
13		4	Tube cap chassis basic	PE	2000-70
14	70200015	1	Mattress drain	PP	2000-37
15	70200016	1	Clamping ring	POM	2000-38
16	70205001	1	Battery plate	Alu gec.	2050-11
17	70200012	2	Sliding Bearing	POM	2000-43
18	70200030	1	Cover cap set	ABS.	2000-46.1
19	70200030	1	Cover cap set	ABS.	2000-47.1
20	70200030	1	Cover cap set	ABS.	2000-48
21	70200017	1	Square tube	RVS	2000-49.1
22	70200055	1	Plate hose	RVS	2000-56
23	70205002	1	Control Box	Timotion	3D_IC12 (2.9A)
24	70205003	1	Batterypack	Timotion	Accu
25	70205004	1	Handset	Timotion	3D_TM3
26	70205006	1	Actuator TA23	Timotion	TA23
27	70200033	1	Gas spring	St / RVS	150mm 200N BSP
28		1	Mattress	Werff	2000-Matras
29	67902000	1	Hose (complete)	PVC	Afvoerslang 90 graden
30	70200031	4	Wheel basic		70200031 Wiel 2000
31		4	Expander wheel		Expander rond 22
32	70200040	6	Tube cap 70x30	BKV130	2000-53
33	70200035	2	Cover gasspring handle	Kunststof	Knop 10mm
34		2	Flanged Slide bearing 5,2x8x10	PA	05.2x8x10
35		2	Flanged slide bearing 8x14x10	PA	08x14x10
36		2	Slide bearing 16x20x15 Flanged	PA	16x20x15
37		2	Slide bearing 18x22x25	PA	18x22x25
38		6	Slidebearing 25x35x20	PA	25x35x20
39		2	Tube cap Ø18	PE grey	Insteekdop rond 18 grijs
40		2	Tube cap Ø30	PE (gray)	Insteekdop rond 30 grijs
41		2	Tube cap 30x30	PE grey	Insteekdop30x30
42		2	Tube cap 50x30	PE grey	Insteekdop 50x30

Drawn by: RH	Date: 11-03-2020
Revised: 5 /KA	Date: 13-03-2023
Revised: 6 /KA	Date: 25-09-2023

Parts overview

Copyright reserved by law	Unit of measurement: mm
---------------------------	-------------------------

Lopital Nederland bv

Type nr: 2050-EV.6

Marina basic electric 61002050

Part no.	Art.no.	QTY.	Name	Material	Drawing nr.
43		4	Hexagon socket button head screw M5x10	A2	M5x10 ISO7380
44		2	Cylinder head screw M5x25	A2	M5x25 DIN912
45		2	Cylinder headscrew M5x35	A2	M5x35 DIN912
46		4	Washer M5	A2	M5 DIN 125
47		4	Locknut M5	A2	M5 DIN985
48		1	Slotted mushroom head screw M6x20	A2	M6x20 Laagbolkop Schroef
49		6	Cylinder head screw M6x65	A2	M6x65 DIN912
50		6	Locknut M6	A2	M6 DIN985
51		2	Hexagonal head screw M8x15	A2	M8x15 DIN933
52		2	Cylinder head screw M8x30	A4	M8x30 DIN912
53		2	Cylinder low head screw M8x40	A2	M8x40 DIN7984 lage kop BZK
54		8	Hexagonal head screw M8x50	A2	M8x50 DIN933
55		4	Cylinder head screw M8x80	A2	M8x80 A4 DIN912
56		2	Hex bolt	A2	M8 x 30 zeskant
57		14	Locknut M8	A2	M8 DIN985
58		6	Washer M8	A2	M8 DIN 125
59		14	Washer M8 Ø25	A2	Carrosseriering M8
60		1	Cylinder head screw M10x60	St. 12.9 Dacr.	M10x60 12.9 DIN912 Dacromet
61		1	Locknut M10	A2	M10 DIN985
62		2	Washer M10	A2	M10 DIN 125
63		2	Washer M12	A2	M12 DIN 125
64		2	Sluitring	PA Type 6	M12 DIN125 PA
65		1	Lock nut M12	A2	M12 DIN985
66		4	Connecting nut M10x20	A2	Verbindingsmoer M10x20 rond
67	70200038	4	Connecting nut M10x40	A2	Verbindingsmoer M10x40 rond
68		1	Cylinder head screw M12x140	A2	M12x140 DIN912
69		2	Shimring	A2	shimring Ø25x1
70	70200046	2	Sticker Anti Trendelenburg		Sticker Anti Trendelenburg
71		2	Sticker Marina	PP Film	Sticker - Marina basic -buis
72		2	Sticker Lopital - marina	PP Film	2000-61
73		2	Serialnumber sticker		Serienummersticker recht elek
74		2	Safety Sign IFU sticker		Safety sign IFU
75	70205007	1	Chargestation		TBC2_charging cradle
76	70205008	1	Charger		3D_TB2_EU

Drawn by: RH	Date: 09-06-2020
Revised: 5 /KA	Date: 13-03-2023
Revised: 6 /KA	Date: 25-09-2023

Copyright reserved by law	Unit of measurement: mm
---------------------------	-------------------------

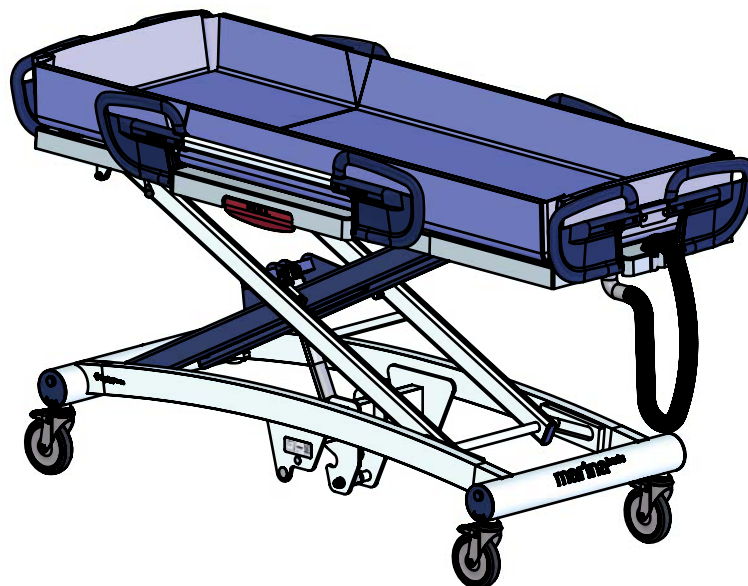
Parts overview

Lopital Nederland bv

Type nr: 2050-EV.6

Matress length 186cm / 206cm / 226cm

Part nr.	Art.nr.	QTY	Name	Material	Drawing nr.
1	6720 0005	1	Matress L=186 cm		
2	6720 0015	1	Matress L=206 cm		
3	6720 0030	1	Matress L=226 cm		2000-52



Productontwikkeling\SW-Tek\Marina 2000-2050\

Drawn by: RH	Date: 09-06-2020
Revised: 5 /KA	Date: 13-03-2023
Revised: 6 /KA	Date: 25-09-2023
Copyright reserved by law	Unit of measurement: mm

Parts overview

Lopital Nederland bv

Type nr: 2050-EV.6